



Innovive

Disposable Rodent Caging System



TABLE OF CONTENTS

IVC HOUSING FOR MICE AND RATS

Innorack® IVC Mouse	7
Innorack® IVC Rat	9
Innorack® Tall IVC Rat	11
Ventilation Control	13

DISPOSABLE CAGES FOR MICE	17
----------------------------------	-----------

DISPOSABLE CAGES FOR RATS	27
----------------------------------	-----------

CONTACT INFORMATION	34
----------------------------	-----------

WEBSITE www.innovive.com

YOUTUBE www.youtube.com/DisposableCages

LINKEDIN www.linkedin.com/company/innovive



What is the Innovive Disposable IVC Rodent Caging System?

The Innovive Disposable IVC Rodent Caging System for mice and rats is a comprehensive end-to-end animal husbandry solution that features our high-performance IVC racks and our single-use, disposable cages. We also offer additional options such as pre-bedded and pre-enriched cages, pre-filled water bottles and a closed-loop recycling service that makes it easy for you to recycle.

Innovive Disposable IVC Rodent Caging System includes:



High performance IVC racks (Innorack®)

- » Dual HEPA-filtered ventilation system
- » Single and double-sided options, multiple configurations
- » Dynamic digital controller



Single-use, recyclable disposable cages (Innocage®)

- » Variety of caging lids to accommodate all types of research
- » Made of 100% high viscosity PET, BPA-free, fully recyclable
- » Patented lightweight thin-wall caging

All Innovive disposable caging products are delivered Research-Ready™:

- » All products arrive securely double-bagged, irradiated, and ready for research use
- » Options for pre-bedded cages (corn cob or ALPHA-dri®) and pre-filled water bottles (Aquavive®)



Innovive IVC Disposable Caging System simplifies dirty caging processing:

- » Once disposable cages are used, the dirty bedding can be dumped and the cages can be fully recycled
- » Our system eliminates all of the laborious activities of a traditional washable caging system, such as cage washing and sterilizing
- » Innovive offers a dedicated recycling service that picks up dirty bedded cages from your facility and processes them for you



Using the Innovive IVC Disposable Caging System results in:

- » Simplified vivarium processes
- » Smaller, less complicated facility layouts
- » Improved employee health and ergonomics
- » Lower costs and utility consumption





The digital controller provides access to the tools and information you need to efficiently manage your airflow.

IVC HOUSING FOR MICE AND RATS



INNORACK® IVC MOUSE 3.5

DESCRIPTION:

IVC rack for housing mice; features transversal airflow, dynamic digital controller, and dual HEPA filtered ventilation system

OPTIONS:

Multiple row/column/cage position configurations
Single and double-sided rack options

CAGING:

Recyclable **Innocage® IVC Mouse*** (empty or pre-bedded)

WATERING:

Aquavive® Mouse water bottle (empty or pre-filled), autowatering and pouches

MORE INFORMATION ON IVC RACKS:

WWW.INNOVIVE.COM/IVC-MOUSE-RACKS.HTML

**See pages 17-22 for all available IVC caging options*

INNORACK® IVC MOUSE 3.5

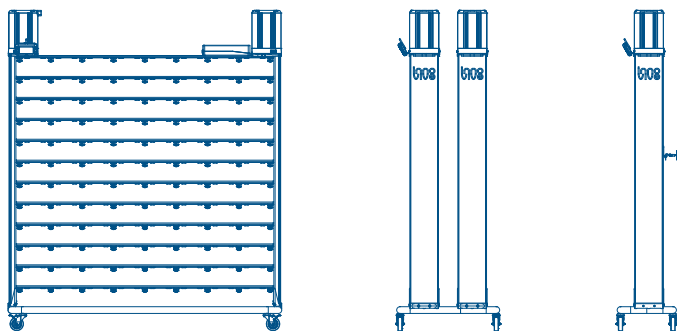


FIG 1. Innorack® Mouse 3.5, double and single-sided

TABLE 1. Innorack® Mouse 3.5, dimensions and cage positions

COLUMNS		6	7	8	
		CAGE POSITIONS ¹			HEIGHT ²
# OF ROWS	9	108	126	144	64.7"
	10	120	140	160	70.9"
	11	132	154	176	77.1"
	12	144	168	192	83.3"
WIDTH		62.8"	72.1"	81.4"	

* Depth: 31" for double-sided; 18" for single-sided rack

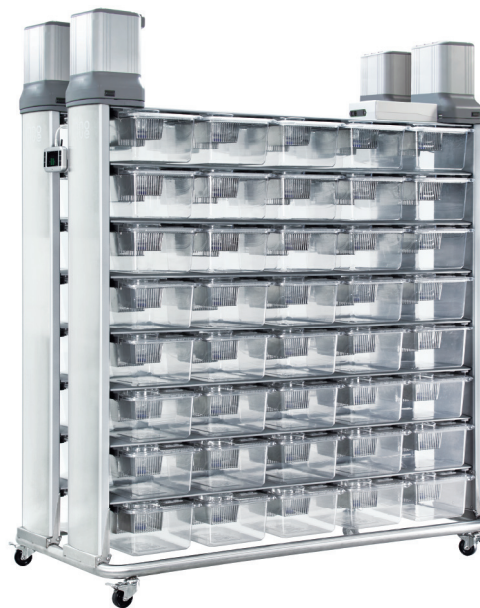
¹ Single-sided rack has half the number of cage positions shown above

² Add 12.6" to height for blowers

* Additional configurations available, call Innovive for more information.

YOUR MOUSE RACK SYSTEM INCLUDES:

1. Innorack® IVC Mouse
2. Trolley
3. Set of supply blowers
4. Set of exhaust blowers
5. Digital controller
6. Power supply



INNORACK® IVC RAT 3.5

DESCRIPTION:

IVC rack for housing rats; features transversal airflow, dynamic digital controller, and dual HEPA filtered ventilation system

OPTIONS:

Multiple row/column/cage position configurations
Single and double-sided rack options

CAGING:

Recyclable **Innocage® IVC Rat** (empty or pre-bedded)

WATERING:

Aquavive® Rat water bottle (empty or pre-filled), autowatering and pouches

MORE INFORMATION ON IVC RACKS:

WWW.INNOVIVE.COM/IVC-RAT-RACKS.HTML

INNORACK® IVC RAT 3.5

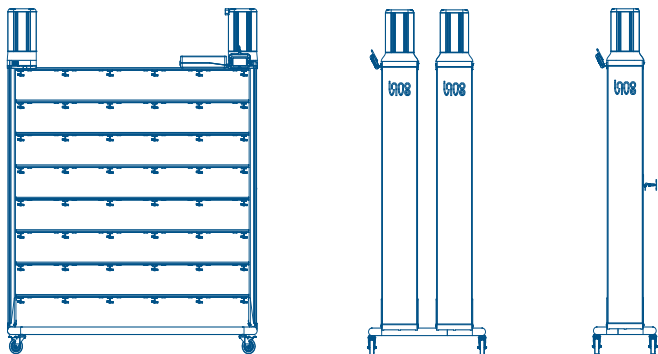


FIG 2. Innorack® Rat 3.5, double and single-sided

TABLE 2. Innorack® Rat 3.5, dimensions and cage positions

COLUMNS		3	4	5	
		CAGE POSITIONS ¹			HEIGHT ²
# OF ROWS	6	N/A	48	60	60.4"
	7	N/A	56	70	69.0"
	8	48	64	80	77.7"
WIDTH		49.1"	62.7"	76.3"	

* Depth: 36.3" for double-sided; 19.8" for single-sided rack

¹ Single-sided rack has half the number of cage positions shown above

² Add 14.8" to height for blowers

YOUR RAT RACK SYSTEM INCLUDES:

1. Innorack® IVC Rat
2. Trolley
3. Set of supply blowers
4. Set of exhaust blowers
5. Digital controller
6. Power supply



INNORACK® TALL IVC RAT

DESCRIPTION:

IVC rack for housing rats; features 9" of caging headroom, transversal airflow, dynamic digital controller, and dual HEPA filtered ventilation system

OPTIONS:

Multiple row/column/cage position configurations
Single and double-sided rack options

CAGING:

Recyclable **Innocage® Tall IVC Rat** (empty or pre-bedded)

WATERING:

Aquavive® Rat water bottle (empty or pre-filled), autowatering and pouches

MORE INFORMATION ON IVC RACKS:

WWW.INNOVIVE.COM/IVC-RAT-RACKS.HTML

INNORACK® TALL IVC RAT

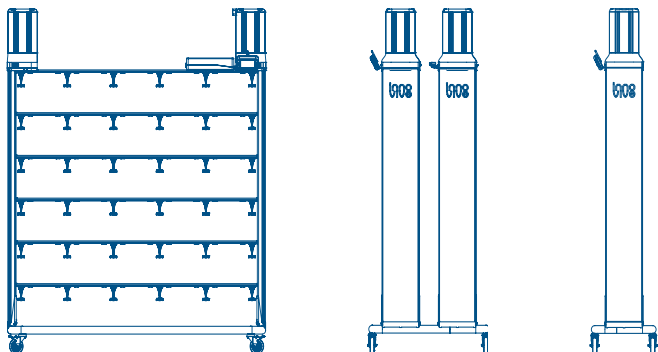


FIG 2. Innorack® Tall IVC Rat, double and single-sided

TABLE 2. Innorack® Tall IVC Rat, dimensions and cage positions

COLUMNS		4	5	
		CAGE POSITIONS ¹		HEIGHT ²
ROWS	5	N/A	50	63.6"
	6	48	60	74.6"
WIDTH		62.7"	76.3"	

* Depth: 36.3" for double-sided; 19.8" for single-sided rack

¹ Single-sided rack has half the number of cage positions shown above

² Add 14.8" to height for blowers

YOUR TALL RAT RACK SYSTEM INCLUDES:

1. Innorack® Tall IVC Rat
2. Trolley
3. Set of supply blowers
4. Set of exhaust blowers
5. Digital controller
6. Power supply

VENTILATION CONTROL



DIGITAL CONTROLLER

The digital controller dynamically maintains ACH/DP settings on both supply and exhaust blowers or servo airflow regulators.

User-friendly interface designed for easy status monitoring.



STANDARD BLOWERS

The standard supply and exhaust blowers each house a HEPA filtered ventilation system, and the airflow can be independently controlled to allow positive/negative modes of operation.

SCALABILITY

By eliminating cage-wash infrastructure, the Innovative Disposable IVC Rodent Caging System allows you to continue your operations at your current census while still having the opportunity to scale up or down at any time.

The largest Innovative disposable caging installation to date is a 26,000 cage facility without a cage wash operation.



As a Research-Ready™ solution, Innovive disposable rodent caging offers consistent and standardized housing, pre-bedded cages, and pre-filled bottles – irradiated and delivered to your door.

DISPOSABLE CAGING FOR MICE

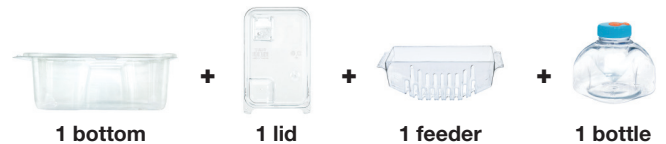


INNOCAGE® MOUSE

DESCRIPTION:

Disposable IVC caging for mice, Universal Euro Type II Long
14.7”L x 9.2”W x 5.5”H • 81 in² floor space • sized for 5 mice
100% PET • BPA-FREE • Recyclable

FULL CAGE SETUP:



OPTIONS:

IVC and static cages, empty or pre-bedded bottom, three feeder options, card holder and enrichment

RACKS:

Innorack® (IVC caging only)

WATERING:

Aquavive® water bottle (empty or pre-filled); autowatering and pouches compatible

INNOCAGE® IVC STANDARD LID



DESCRIPTION:

Single filter IVC lid

APPLICATION:

Standard IVC rodent housing; core facilities, quarantine, remote labs, etc.

PRODUCT CODES:

MXV1 (LID+BOTTOM)

MXV1-C8/C8E (LID+PRE-BEDDED BOTTOM, CORN COB OR CORN COB WITH INNORICHMENT™)

MXV1-AD/ADE (LID+PRE-BEDDED BOTTOM, ALPHA-DRI® OR ALPHA-DRI® WITH INNORICHMENT™)



INNOCAGE® IVC LARGE FILTER LID



DESCRIPTION:

Large filter IVC lid with larger ventilation grate and static filter area

APPLICATION:

Facilities that lack redundant power supply

PRODUCT CODES:

MXV6 (LID+BOTTOM)

MXV6-C8/C8E (LID+PRE-BEDDED BOTTOM, CORN COB OR CORN COB WITH INNORICHMENT™)

MXV6-AD/ADE (LID+PRE-BEDDED BOTTOM, ALPHA-DRI® OR ALPHA-DRI® WITH INNORICHMENT™)



INNOCAGE® IVC DUAL FILTER LID



DESCRIPTION:

Dual filter IVC lid

APPLICATION:

Accommodates research that requires rodent housing with dual filtration

PRODUCT CODES:

MXV2 (LID+BOTTOM)

MXV2-C8/C8E (LID+PRE-BEDDED BOTTOM, CORN COB OR CORN COB WITH INNORICHMENT™)

MXV2-AD/ADE (LID+PRE-BEDDED BOTTOM, ALPHA-DRI® OR ALPHA-DRI® WITH INNORICHMENT™)



INNOCAGE® IVC CONTAINMENT LID



DESCRIPTION:

Dual HEPA filter lid with blue cover for easy identification

APPLICATION:

Containment applications

PRODUCT CODES:

MXV3 (LID+BOTTOM)

MXV3-C8/C8E (LID+PRE-BEDDED BOTTOM, CORN COB OR CORN COB WITH INNORICHMENT™)

MXV3-AD/ADE (LID+PRE-BEDDED BOTTOM, ALPHA-DRI® OR ALPHA-DRI® WITH INNORICHMENT™)



IMAGES AND MORE INFORMATION:

WWW.INNOVIVE.COM/MOUSE-CAGE-LIDS.HTML

IMAGES AND MORE INFORMATION:

WWW.INNOVIVE.COM/MOUSE-CAGE-LIDS.HTML

INNOCAGE® STATIC LID



DESCRIPTION:

Static lid with a large filter media and metal grate

APPLICATION:

Static housing, emergency preparedness

PRODUCT CODES:

MSX2 (LID+BOTTOM)

MSX2-C8/C8E (LID+PRE-BEDDED BOTTOM, CORN COB OR CORN COB WITH INNORICHMENT™)

MSX2-AD/ADE (LID+PRE-BEDDED BOTTOM, ALPHA-DRI® OR ALPHA-DRI® WITH INNORICHMENT™)

INNOCAGE® TRANSPORT LID



DESCRIPTION:

Large filter lid without water bottle cavity to accommodate transportation

APPLICATION:

Safe, secure and cost-effective way to transport mice

PRODUCT CODES:

MSX4 (LID+BOTTOM)

MSX4-C8/C8E (LID+PRE-BEDDED BOTTOM, CORN COB OR CORN COB WITH INNORICHMENT™)

MSX4-AD/ADE (LID+PRE-BEDDED BOTTOM, ALPHA-DRI® OR ALPHA-DRI® WITH INNORICHMENT™)

IMAGES AND MORE INFORMATION:

WWW.INNOVIVE.COM/MOUSE-CAGE-LIDS.HTML

CAGE BOTTOM OPTIONS



DESCRIPTION:

100% PET empty universal bottom

PRODUCT CODE: M-BTM



DESCRIPTION:

100% PET universal bottom, pre-bedded with 1/8" corn cob Innorichment™ option available

PRODUCT CODE: M-BTM-C8/C8E



DESCRIPTION:

100% PET universal bottom, pre-bedded with ALPHA-dri® Innorichment™ option available

PRODUCT CODE: M-BTM-AD/ADE

IMAGES AND MORE INFORMATION:

WWW.INNOVIVE.COM/MOUSE-CAGE-BOTTOMS.HTML

MOUSE FEEDERS



DESCRIPTION:

100% PET plastic feeder

PRODUCT CODE: M-FEED-P



DESCRIPTION:

100% PET plastic feeder with metal insert
Stainless steel option available

PRODUCT CODE: M-FEED, M-FEED-SS

IMAGES AND MORE INFORMATION:

WWW.INNOVIVE.COM/MOUSE-FEEDERS.HTML

AQUAVIVE® MOUSE



DESCRIPTION:

300 mL bottle, empty
Amber color option available

PRODUCT CODE: M-WB-300 (CLEAR),
M-WB-A-300 (AMBER)



DESCRIPTION:

300 mL bottle, pre-filled with
laboratory grade acidified,
chlorinated or ultra-purified water

PRODUCT CODE: M-WB-300A/ 300C/ 300P

IMAGES AND MORE INFORMATION:

WWW.INNOVIVE.COM/AQUAVIVE-MOUSE-WATER.HTML

ENRICHMENT & ACCESSORIES



DESCRIPTION:

100% PET reusable cardholder,
accommodates standard cards

PRODUCT CODE: CRD-HLD-H



DESCRIPTION:

InnoDome™ and InnoWheel™,
100% PET, translucent red

PRODUCT CODE: INNODOME, INNOWHEEL



DESCRIPTION:

Innorichment™ nesting sheets,
available with pre-bedded corn
cob and ALPHA-dri® cages or as
a package of 1,500 sheets

PRODUCT CODE: M-BTM-C8E/ADE,
INNORICHMENT

IMAGES AND MORE INFORMATION:

WWW.INNOVIVE.COM/MOUSE-CAGE-ACCESSORIES.HTML



ORDERING YOUR MOUSE CAGING

All Innovive mouse cage
lids are compatible with the
universal Innocage® bottom.

All Innovive mouse caging is
sold in sets. Each set includes
a cage lid and a cage bottom.

***All products delivered
double-bagged and
irradiated***

1. SELECT A LID

- » IVC Single Filter
- » IVC Dual Filter
- » IVC Large Filter
- » IVC Containment
- » Static
- » Transport

LID: BOTTOM SOLD AS A SET

2. SELECT BOTTOM OPTION

- » Empty
- » Pre-bedded, 1/8" corn cob
(Innorichment™ optional)
- » Pre-bedded, ALPHA-dri®
(Innorichment™ optional)

3. ADD FEEDER

- » Plastic
- » Plastic w/ metal insert
- » Plastic w/ stainless steel
insert

4. WATER, 300 mL

- » Aquavive®, empty
- » Aquavive®, pre-filled
- » Aquavive® Amber, empty

5. ADD ACCESSORIES

- » Card Holder
- » Innodome™
- » Innowheel™



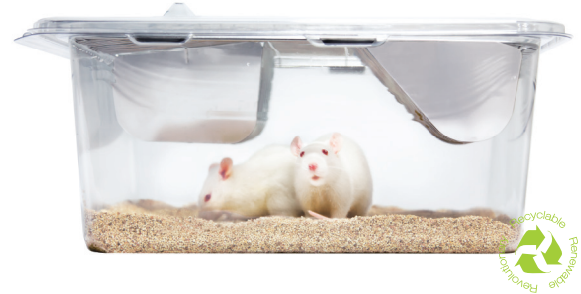
DID YOU KNOW...

Innovive is the industry expert in disposable Research-Ready™ rodent caging and the only provider of IVC disposable cages for rats.

DISPOSABLE CAGING FOR RATS

WWW.INNOVIVE.COM

TO ORDER CALL (866) 432-2437

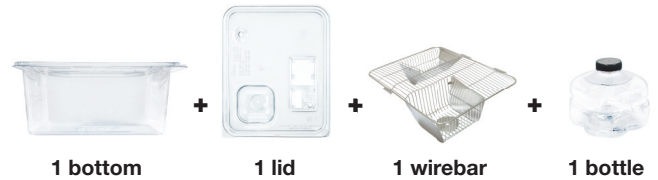


INNOCAGE® RAT

DESCRIPTION:

Disposable IVC caging for rats, Universal Euro Type II Long
17"L x 13.4"W x 7.8"H • 141 in² floor space • sized for 2 rats
100% PET • BPA-FREE • Recyclable

FULL CAGE SETUP:



OPTIONS:

IVC and static cages, Tall Rat option, empty or pre-bedded bottom, optional card holder

RACKS:

Innorack® IVC Rat (IVC caging only)

WATERING:

Aquavive® water bottle (empty or pre-filled); autowatering and pouches compatible

CAGE BOTTOM OPTIONS



DESCRIPTION:

100% PET universal bottom, empty, can be used with bedding of choice

PRODUCT CODE: R-BTM-H



DESCRIPTION:

100% PET universal bottom, pre-bedded with 1/8" corn cob

PRODUCT CODE: R-BTM-H-C8



DESCRIPTION:

100% PET universal bottom, pre-bedded with ALPHA-dri®

PRODUCT CODE: R-BTM-H-AD

IMAGES AND MORE INFORMATION:

WWW.INNOVIVE.COM/RAT-CAGE-BOTTOMS.HTML



Image - Inncage® IVC Rat, ALPHA-dri®

INNOCAGE® IVC RAT LID



DESCRIPTION:

Single filter IVC lid

APPLICATION:

Standard IVC rat housing

PRODUCT CODES:

RVX6 (LID+BOTTOM)

RVX6-C8 (LID+PRE-BEDDED BOTTOM, CORN COB)

RVX6-AD (LID+PRE-BEDDED BOTTOM, ALPHA-DRI®)

INNOCAGE® RAT STATIC LID



DESCRIPTION:

Static rat lid with a large filter

APPLICATION:

Static housing, emergency preparedness

PRODUCT CODES:

RSX1 (LID+BOTTOM)

RSX1-C8 (LID+PRE-BEDDED BOTTOM, CORN COB)

RSX1-AD (LID+PRE-BEDDED BOTTOM, ALPHA-DRI®)

IMAGES AND MORE INFORMATION:

WWW.INNOVIVE.COM/IVC-RAT.HTML

RAT WIREBAR



DESCRIPTION:
Stainless steel reusable wirebar
30 oz

PRODUCT CODE: R-WIRE-HB

IMAGES AND MORE INFORMATION:

WWW.INNOVIVE.COM/IVC-RAT.HTML

AQUAVIVE® RAT WATER



DESCRIPTION:
850 mL bottle, empty or pre-filled
with laboratory grade acidified or
chlorinated water

PRODUCT CODE: R-WB-850, R-WB-850A,
R-WB-850C

IMAGES AND MORE INFORMATION:

WWW.INNOVIVE.COM/IVC-RAT.HTML

RAT CAGE ACCESSORIES



DESCRIPTION:
Reusable cardholder,
accommodates standard cards
100% PET

PRODUCT CODE: CRD-HLD-H

IMAGES AND MORE INFORMATION:

WWW.INNOVIVE.COM/IVC-RAT.HTML

TALL IVC RAT CAGING SYSTEM



The Innocage® Tall IVC Rat system offers the benefit of a larger living space, providing 9" of headroom.

Requires Innorack® Tall IVC Rat (see page 11).

INNOCAGE® TALL IVC RAT LID



DESCRIPTION:
Tall Rat lid with a large filter media.
Adds 2" of headroom.

REQUIRES:
Innorack® Tall IVC Rat, Tall Rat
wirebar

PRODUCT CODES:
RVX7 (LID+BOTTOM)
RVX7-C8 (LID+PRE-BEDDED BOTTOM,
CORN COB)
RVX7-AD (LID+PRE-BEDDED BOTTOM,
ALPHA-DRI®)

TALL RAT WIREBAR



DESCRIPTION:
Tall Rat steel reusable wirebar
27 oz

PRODUCT CODE: R-WIRE-TD

IMAGES AND MORE INFORMATION:

WWW.INNOVIVE.COM/TALL-RAT.HTML

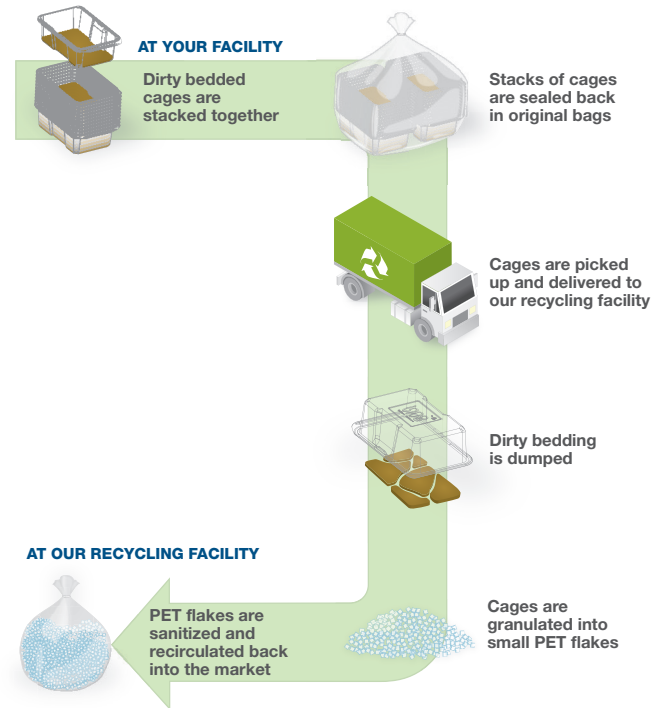
INNOVIVE SUSTAINABILITY

From the beginning, Innovive has embraced the concept of sustainability. We understand the importance of reducing the environmental impact of our products and operations, which is why we strive to apply sound sustainable practices in everything we do – from the engineering and production down to the packaging and delivery of our products to your door.

<p>Up to 70% Post-Consumer Plastic</p>	<p>Our thermoformed plastic is made from post consumer plastic reclaimed in California. Since December 2010, we diverted 28.4 tons of plastic from landfills.</p>
<p>Lighter Cages</p>	<p>Our patented lightweight design allows our products to be stacked efficiently. The minimal weight and space that it requires on a truck helps reduce transportation emissions.</p>
<p>Energy & Water Reduction</p>	<p>The Innovive Disposable Rodent IVC Caging System eliminates cage washing and sterilization from vivarium operations. Running a vivarium without a cage wash lowers a facility's energy use, water consumption, and detergent cost.</p> <p>It also has a lower HVAC load as opposed to the high HVAC load that is typically needed to offset the heat generated by a traditional washroom. A high HVAC load is often 50% or more of the total HVAC expense of the animal program.</p>
<p>Closed-Loop Recycling</p>	<p>Innovive products are made with 100% PET plastic with no glues or contaminants to ensure maximum recyclability. We also provide a complete recycling service to our customers that assists them in recycling plastic cages.</p>

CLOSED-LOOP RECYCLING SERVICE

The Innovive Closed-Loop Recycling Service allows you to easily recycle your used disposable caging with bedding still intact. The recycling service not only helps to eliminate the burden of cage dumping and processing, but also helps to significantly reduce your environmental impact.



Innovive disposable caging products can also be recycled at many municipal, university, and commercial recycling programs that accept PET 1. An Innovive recycling coordinator can help you work with local recyclers and assist in setting up your recycling program.

For more information about all the ways Innovive can help you recycle, please call our customer service department: **(866) 432-2437**.



INNOVIVE HEADQUARTERS

Toll-Free: (866) 432-2437
Direct: (858) 309-6620
Fax: (858) 309-6621
Hours: Mon-Fri, 5AM - 5PM PST

EAST COAST CORPORATE OFFICE

Toll-Free: (866) 432-2437
Direct: (617) 500-1691
Fax: (617) 500-1692
Hours: Mon-Fri, 8AM - 8PM EST

GENERAL info@innovive.com

ORDERS orders@innovive.com

SUPPORT support@innovive.com

RECYCLING recycling@innovive.com

HUMAN RESOURCES hr@innovive.com

SALES

WESTERN UNITED STATES

ADAM SEDDIQUI

Sr. Account Representative
(858) 309-6652
(510) 771-7905
✉ adam@innovive.com

NORTHEASTERN UNITED STATES

SARAH ANDERSON

Director of Business Development
(617) 396-3983
(603) 833-0476
✉ sarah@innovive.com

SOUTHERN CALIFORNIA & ARIZONA

BO SMITH

V.P. of Sales & Customer Service
(858) 309-6642
(619) 778-2808
✉ bo@innovive.com

MIDWEST & SOUTHEAST UNITED STATES

WARREN RILEY

Sr. Account Representative
(858) 309-6653
(317) 501-4341
✉ warren@innovive.com

MID-ATLANTIC UNITED STATES

LOU RISTIC

Sr. Account Representative
(858) 309-6637
(646) 872-4484
✉ lristic@innovive.com



Since introducing the Innovive Disposable Rodent Caging System in 2005, Innovive continues to bring innovation to the animal husbandry industry. Our suite of research-ready caging products now includes closed-loop recycling services and RackNet™ remote control technology.

Broad customer experience and rapid market adoption continue to validate the unbeatable value proposition associated with the Innovive Disposable Rodent Caging System. Today we are the fastest growing company in the sector, with hundreds of customers around the world and multiple facilities that house in excess of 20,000 cages of animals.

To learn more about the Innovive System, to read case studies, and to access our helpful planning tools, please visit www.innovive.com



Less Washing, More Science

www.innovive.com (866) 432-2437